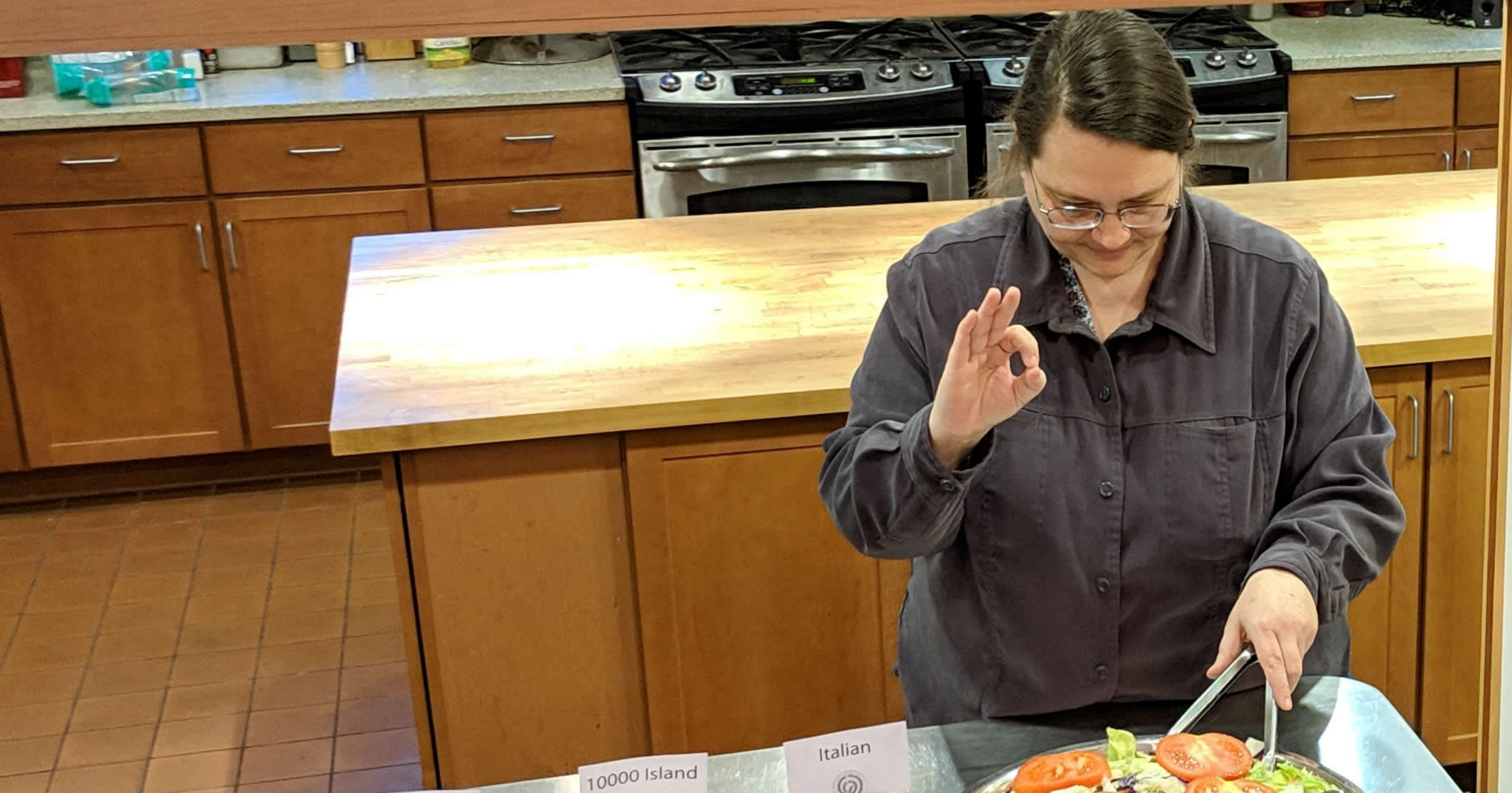


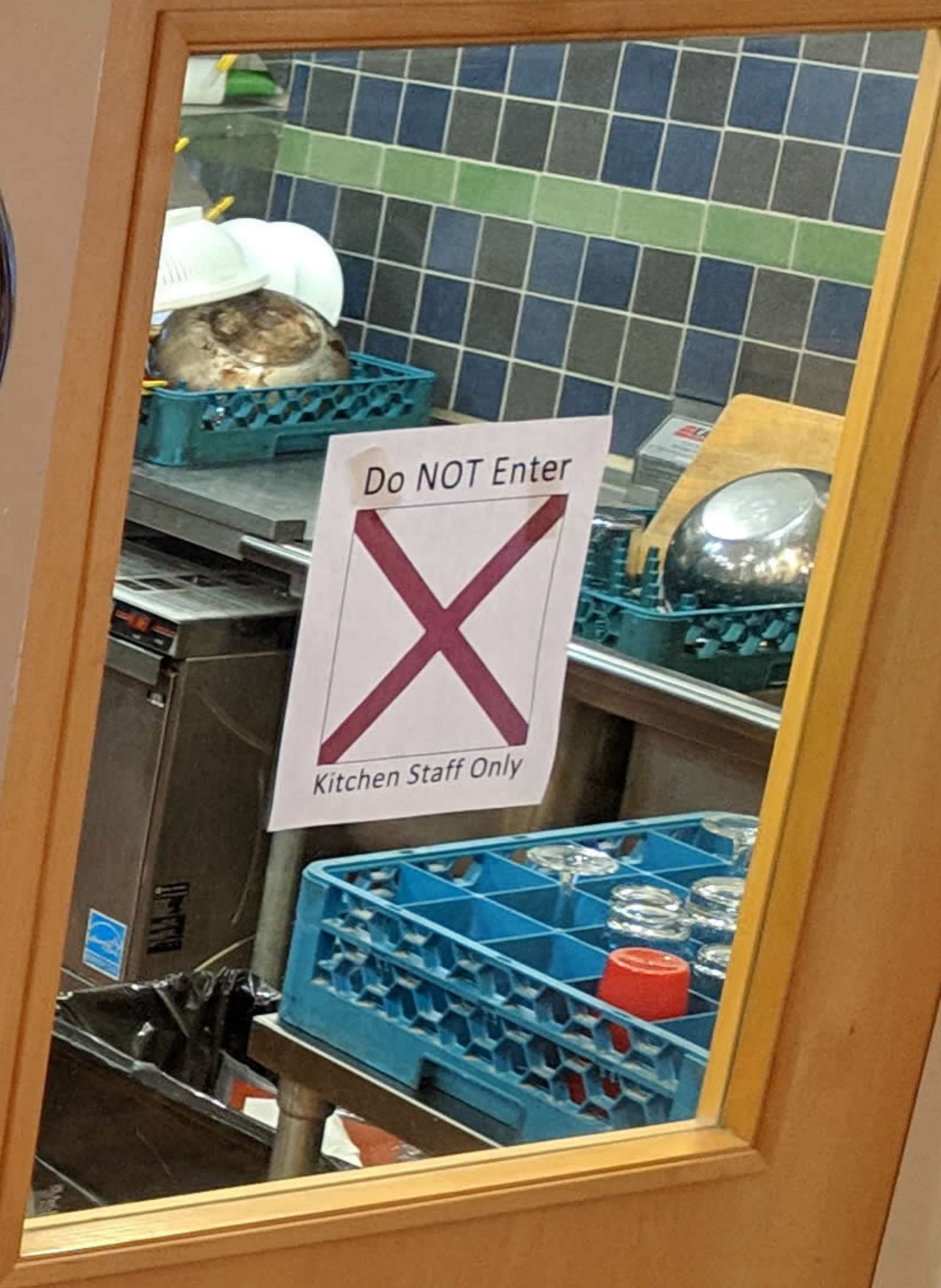
OVERHEAD DOOR CORP.  
WOOD-ROLL UPS  
BY  
LIVING DOORS MFG.



Ranch

10000 Island

Italian



Do NOT Enter  
Kitchen Staff Only





01111

MISKATONIC







Problem Set:  
 $10+5-15=$   
 $19+81-99=$   
 $48/6-7=$   
 $5*23-115=$   
 $11+9-20=$

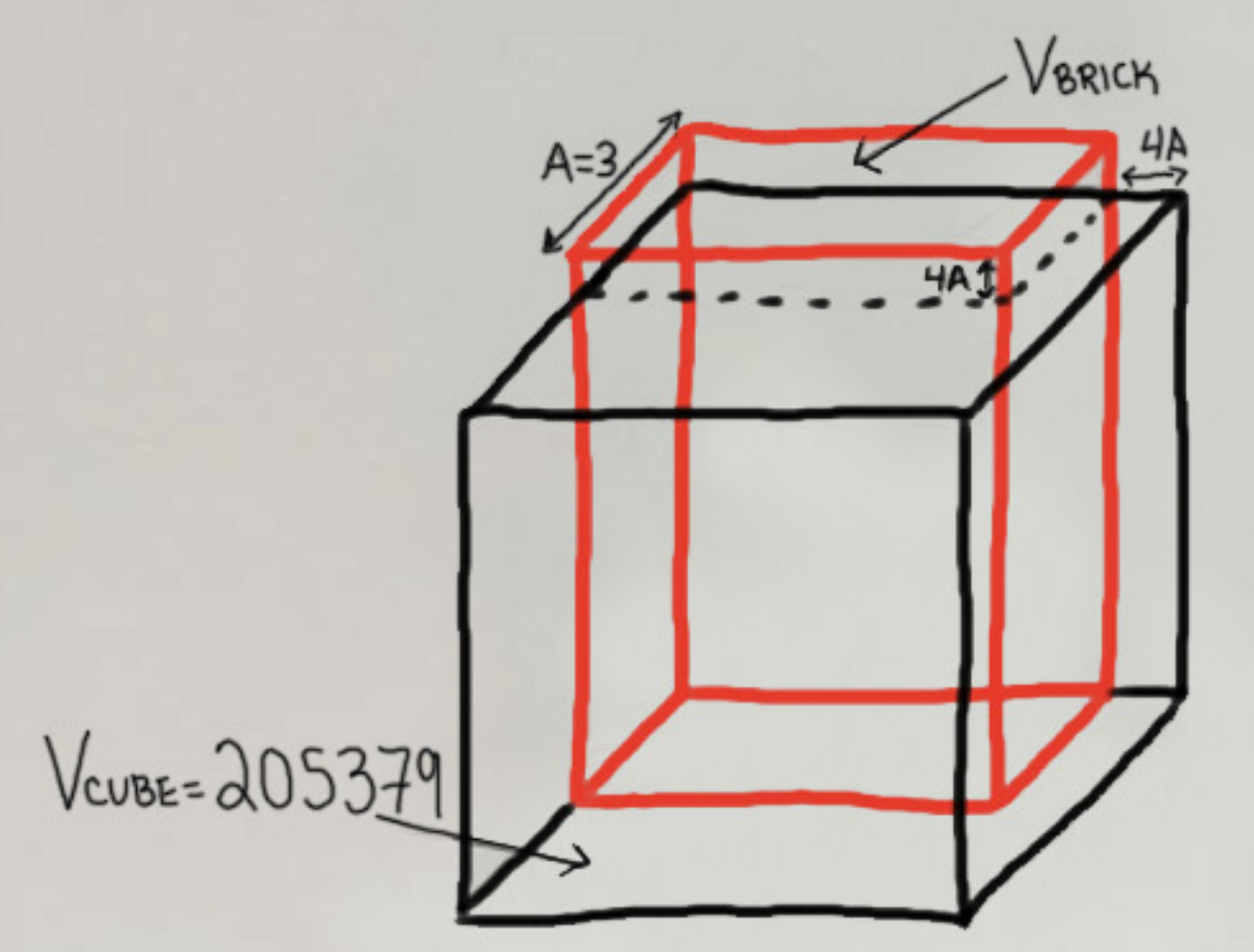


FEQA

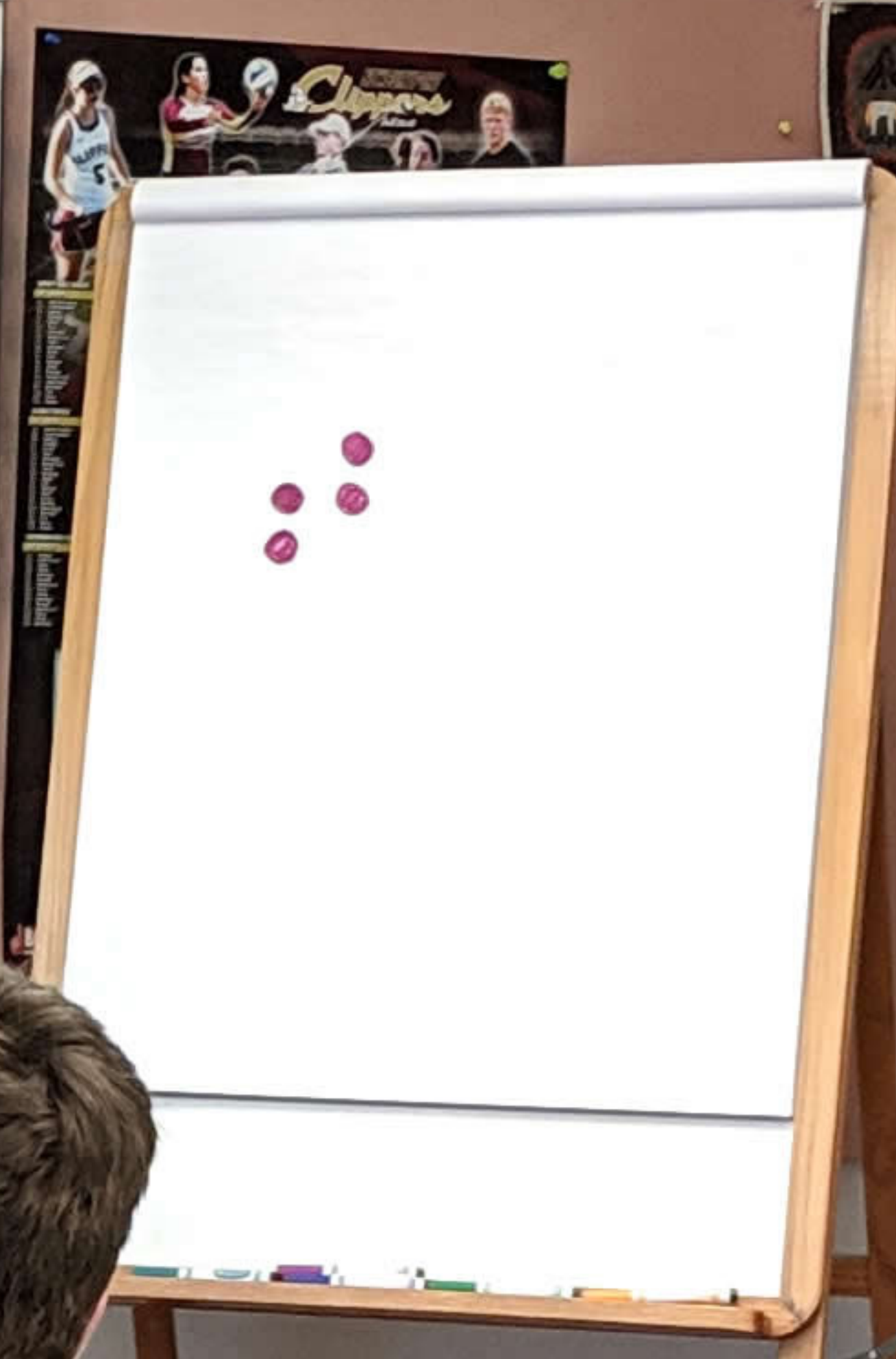
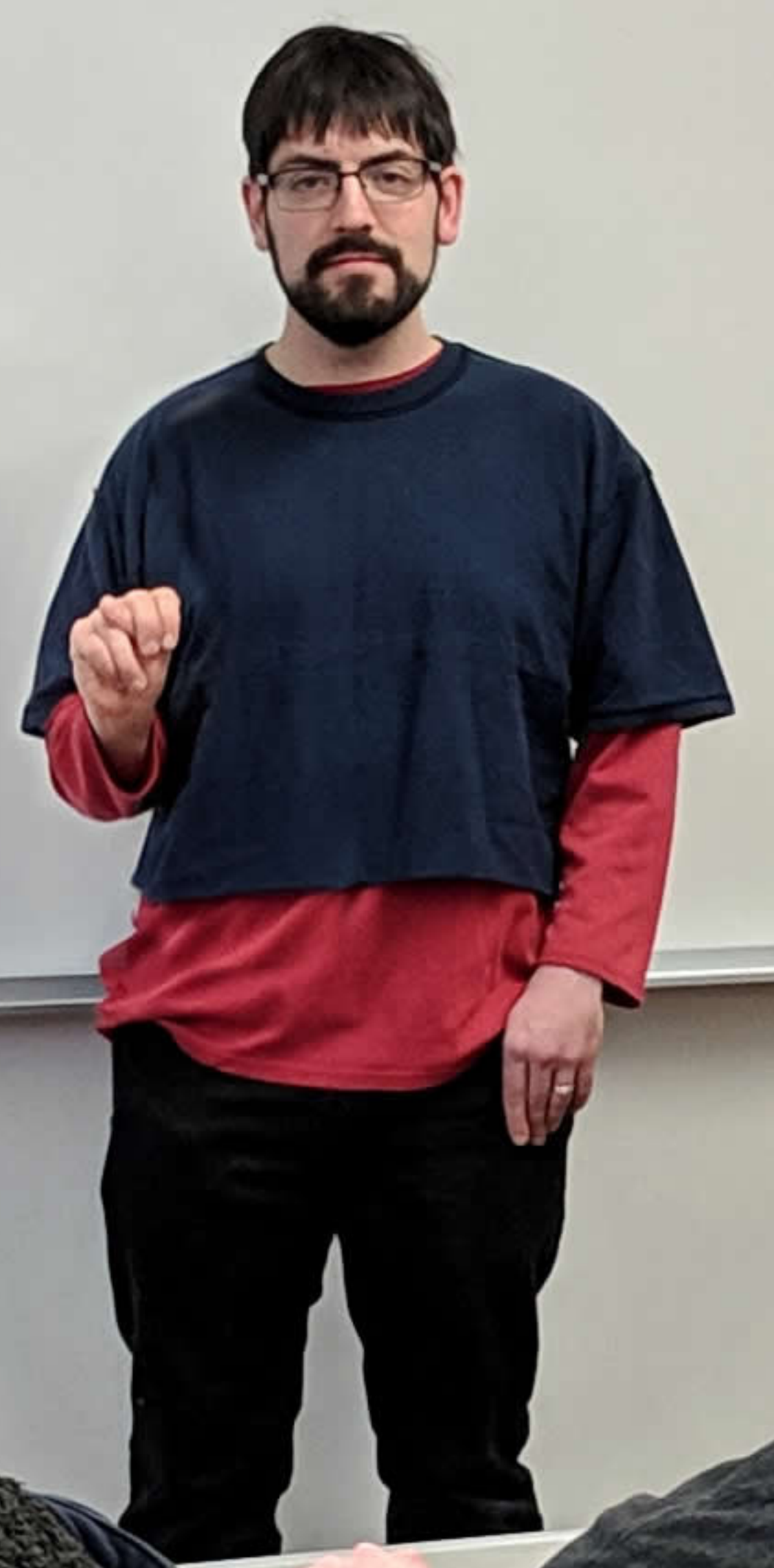
01001







$V_{BRICK} = ?$



**FIRE DRILL INSTRUCTIONS**  
1. All classrooms must exit into corridor.  
2. Follow corridor to courtyard on left.  
3. Go down courtyard to the field.  
4. Take left and right building, use the front door.  
5. Assemble at front lawn (Area 30).





